



Zero-GTM Screens

Levitating motorized screen



ZERO-G (Flush Mount)

Think rollable television

ZERO-G

Min: 80" (2032mm), Max: 160" (4064mm)

Features and Benefits

Re-imagines standard motorized screens and deploys a “levitating” image exactly where you want it.

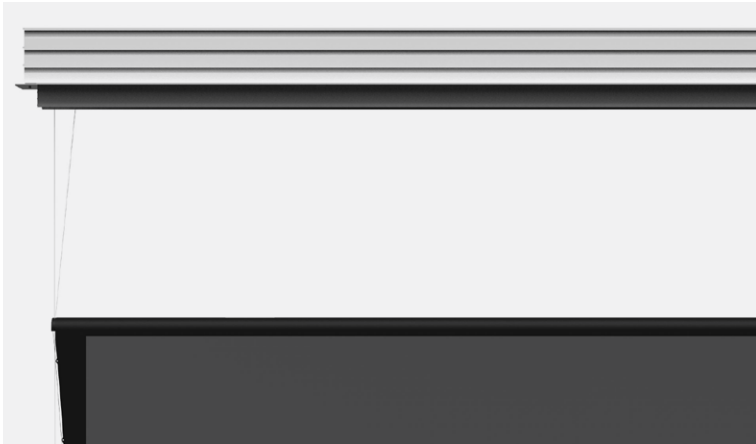
- Levitating motorized screen
- Can be deployed in places where a rigid TV cannot
- All screens come with Wall Switch, IR Remote, and Low Voltage Trigger
- Maximum drop of 7.9' (95"), depending on screen size
- Removable upper motor lift tube with single pin release
- PCB is slide removable from the case
- Screen surface is tab-tensioned
- Material roll pre-installed from the factory
- Automatic upper limit by optical sensor
- Available in flush (in-ceiling) or external (wall) mount options

Power and Control

Wired integration and control

- Contact closure*
- 12v trigger
- IR

Levitating Motorized Screen



Think Rollable Television®. Zero-G re-imagines standard motorized screens and deploys a “levitating” image exactly where you want it.

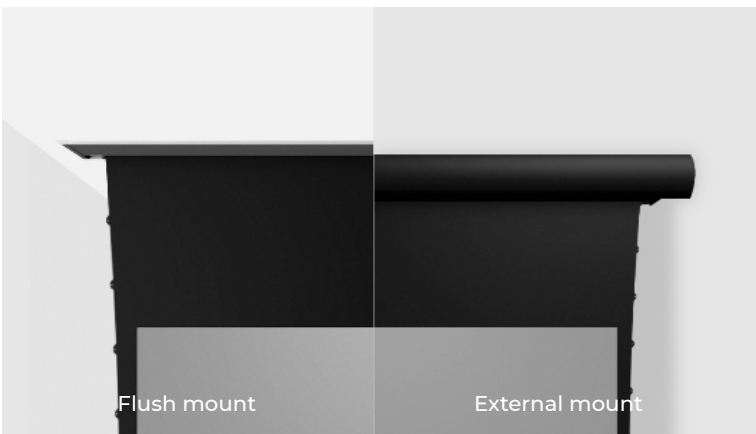
Cord color options



With our 5 cord color options, you can match Zero-G to your wall color to make it stand out !

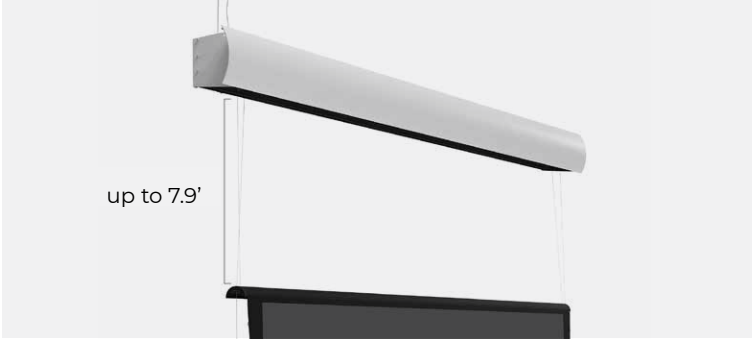


Mounting/ Case Options



- Flush (in-ceiling) or external (wall) configuration.
- Black or white color options for external case.
- Top side recessed electrical control cable access.
- Optional separated shipping for case and material roll/motor assembly.
- Safety clips on external fascia

Drop



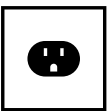
- Maximum Drop: 7.9' (95")
- Maximum drop is dependent upon the screen diagonal

Simple Design



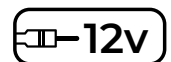
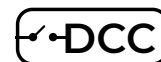
Zero-G is simple and smooth with features such as removable PCB and lift tubes, pre-programmed doors (flush unit only), and automatic upper limits.

Power & Control



110v AC / 220v AC

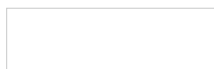
Powerful and quiet, our motors handle screens up to 160" diagonal. Options for control include 12v Trigger, IR and Dry Contact.



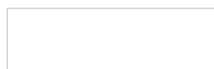
Screen Material Options



Slate 1.2



Pure White 1.3



360 Rear-Pro



Slate AT 1.2



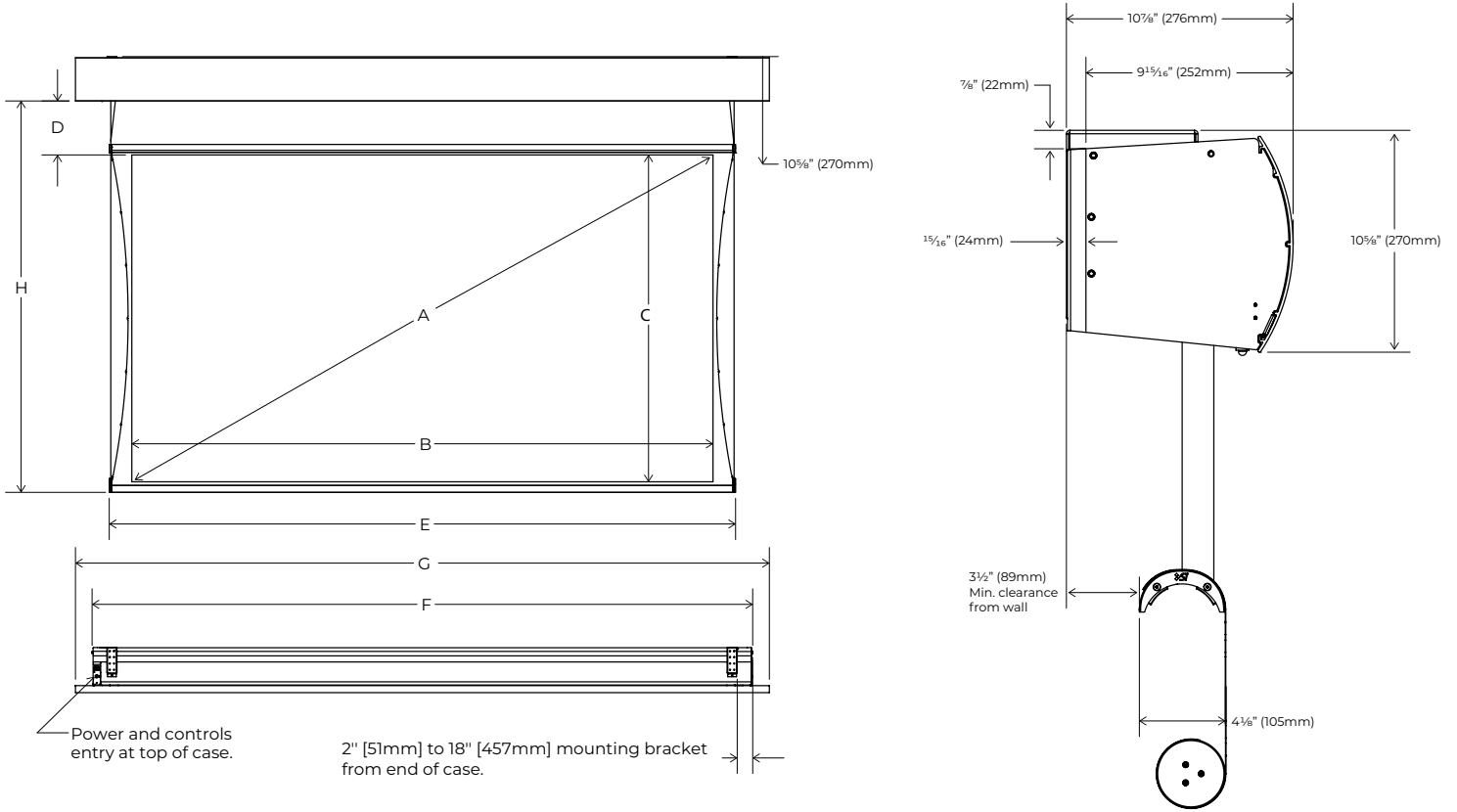
Pure Gray .85



Unity 1.0

Zero-G offers many screen material options including high performance ALR materials like Slate 1.2 to achieve high contrast images.

Screen Sizes and Measurements (External Mount)



Screen Sizes and Measurements (External Mount)

Theater HDTV (16:9) Format Dimensions

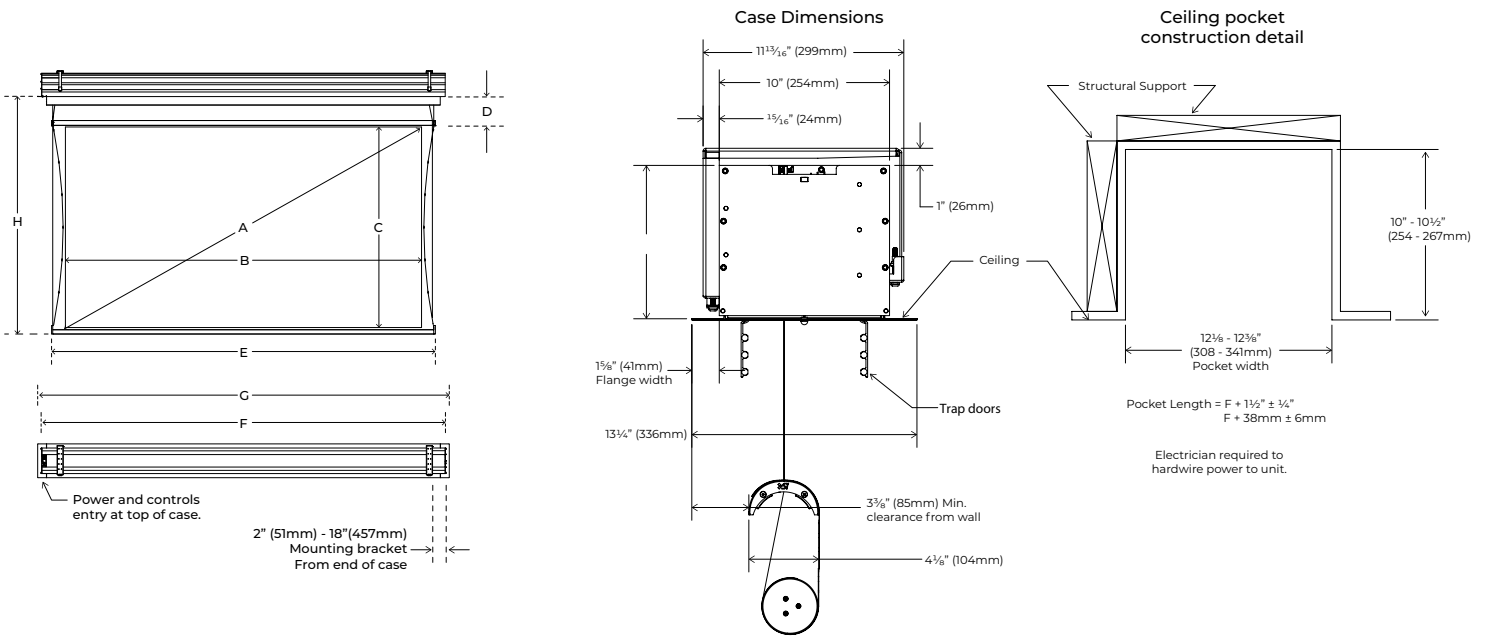
Viewing Area H x W (C X B)		Standard Diagonal (A)		Overall Case Length (F)		Overall Flange Length (G)		Approx. Ship. Wt.	
In.	mm	In.	mm	In.	mm	In.	mm	Lbs.	Kg
39.25" X 69.75"	997 X 1,772	80"	2,032	82.75"	2,102	90.75"	2,305	117	53
45.125" X 80.188"	1,146 X 2,037	92"	2,337	93.875"	2,384	101.875"	2,588	129	59
49" X 87.188"	1,245 X 2,215	100"	2,540	101.313"	2,573	109.313"	2,777	137	62
51.938" X 92.375"	1,319 X 2,346	106"	2,692	106.938"	2,716	114.938"	2,919	143	65
53.938" X 95.875"	1,370 X 2,435	110"	2,794	110.688"	2,811	118.688"	3,015	147	67
58.813" X 104.563"	1,494 X 2,656	120"	3,048	120.125"	3,051	128.125"	3,254	157	71
65.188" X 115.938"	1,656 X 2,945	133"	3,378	132.5"	3,366	140.5"	3,569	171	78
78.438" X 139.438"	1,992 X 3,542	160"	4,064	158.5"	4,026	166.5"	4,229	199	90

Wide (16:10) Format Dimensions

Viewing Area H x W (C X B)		Standard Diagonal (A)		Overall Case Length (F)		Overall Flange Length (G)		Approx. Ship. Wt.	
In.	mm	In.	mm	In.	mm	In.	mm	Lbs.	Kg
42.375" X 67.813"	1,076 X 1,722	80"	2,032	81.188"	2,062	89.188"	2,265	116	53
48.75" X 78"	1,238 X 1,981	92"	2,337	92.125"	2,340	100.125"	2,543	128	58
53" X 84.813"	1,346 X 2,154	100"	2,540	99.438"	2,526	107.438"	2,729	135	61
56.188" X 89.875"	1,427 X 2,283	106"	2,692	105"	2,667	113"	2,870	141	64
58.313" X 93.25"	1,481 X 2,369	110"	2,794	108.688"	2,761	116.688"	2,964	145	66
63.625" X 101.75"	1,616 X 2,584	120"	3,048	118"	2,997	126"	3,200	155	70
70.5" X 112.813"	1,791 X 2,865	133"	3,378	130.25"	3,308	138.25"	3,512	169	77
78.438" X 125.5"	1,992 X 3,188	148"	3,759	144.5"	3,670	152.5"	3,874	184	83

Screen materials may expand and contract slightly over time. SI allows a 1.5% tolerance within the viewing surface.

Screen Sizes and Measurements (Flush Mount)



Screen Sizes and Measurements (Flush Mount)

Theater HDTV (16:9) Format Dimensions

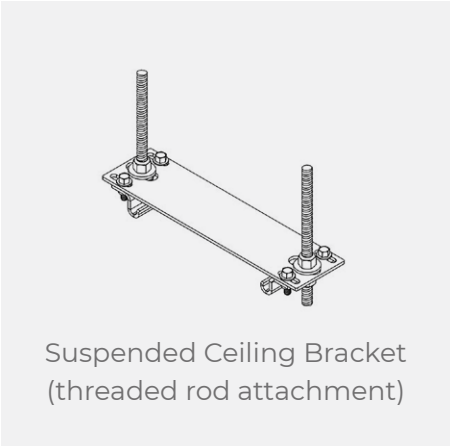
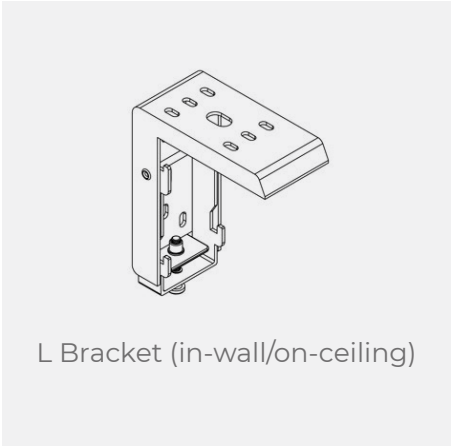
Viewing Area H x W (C X B)		Standard Diagonal (A)		Overall Case Length (F)		Overall Flange Length (G)		Approx. Ship. Wt.	
In.	mm	In.	mm	In.	mm	In.	mm	Lbs.	Kg
39.25" X 69.75"	997 X 1,772	80"	2,032	82.75"	2,102	85.405"	2,169	144	65
45.125" X 80.188"	1,146 X 2,037	92"	2,337	93.875"	2,384	96.53"	2,452	159	72
49" X 87.188"	1,245 X 2,215	100"	2,540	101.313"	2,573	103.968"	2,641	169	77
51.938" X 92.375"	1,319 X 2,346	106"	2,692	106.938"	2,716	109.593"	2,784	176	80
53.938" X 95.875"	1,370 X 2,435	110"	2,794	110.688"	2,811	113.343"	2,879	181	82
58.813" X 104.563"	1,494 X 2,656	120"	3,048	120.125"	3,051	122.78"	3,119	194	88
65.188" X 115.938"	1,656 X 2,945	133"	3,378	132.5"	3,366	135.155"	3,433	211	96
78.438" X 139.438"	1,992 X 3,542	160"	4,064	158.5"	4,026	161.155"	4,093	246	112

Wide (16:10) Format Dimensions

Viewing Area H x W (C X B)		Standard Diagonal (A)		Overall Case Length (F)		Overall Flange Length (G)		Approx. Ship. Wt.	
In.	mm	In.	mm	In.	mm	In.	mm	Lbs.	Kg
42.375" X 67.813"	1,076 X 1,722	80"	2,032	81.188"	2,062	83.843"	2,130	142	64
48.75" X 78"	1,238 X 1,981	92"	2,337	92.125"	2,340	94.78"	2,407	156	71
53" X 84.813"	1,346 X 2,154	100"	2,540	99.438"	2,526	102.093"	2,593	166	75
56.188" X 89.875"	1,427 X 2,283	106"	2,692	105"	2,667	107.655"	2,734	174	79
58.313" X 93.25"	1,481 X 2,369	110"	2,794	108.688"	2,761	111.343"	2,828	179	81
63.625" X 101.75"	1,616 X 2,584	120"	3,048	118"	2,997	120.655"	3,065	192	87
70.5" X 112.813"	1,791 X 2,865	133"	3,378	130.25"	3,308	132.905"	3,376	208	94
78.438" X 125.5"	1,992 X 3,188	148"	3,759	144.5"	3,670	147.155"	3,738	228	103

Screen materials may expand and contract slightly over time. SI allows a 1.5% tolerance within the viewing surface.

Accessories



Aspect Ratio

16:9 | 16:10

Passed third party fire performance evaluation in accordance with underwriters laboratories (UL) 2043-13, fire test for heat and visible smoke release for discrete products and their accessories installed in air-handling spaces



Screen Innovations®
9715-B Burnet Rd, Suite 400 Austin, TX 78758
512.832.6939
www.screeninnovations.com
sales@screeninnovations.com