

# SONANCE

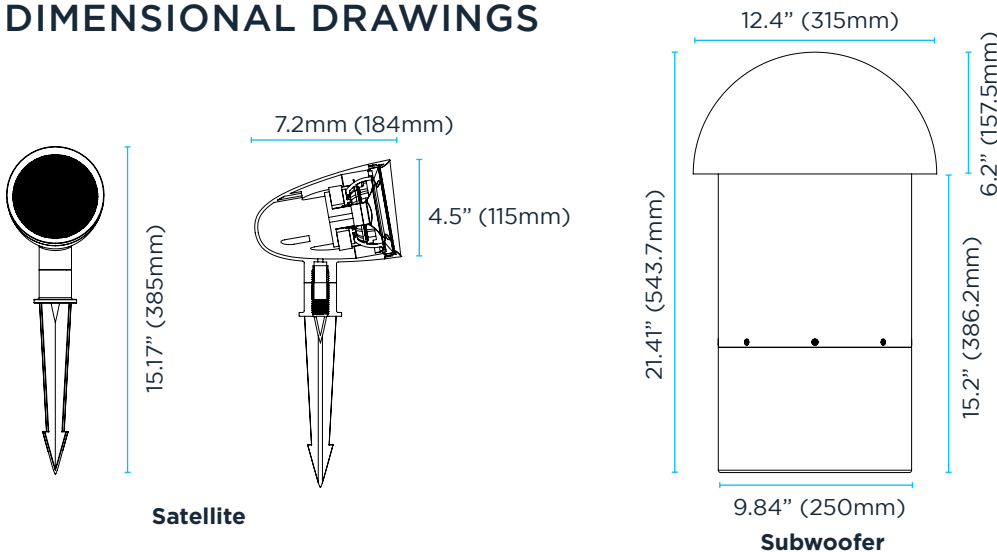
## PATIO SERIES DATA SHEET

**(4) SATELLITES | (4) GROUND STAKES | (1) SUBWOOFER**  
 OPTIONAL: (1) 2-100 AMPLIFIER

### TECHNICAL SPECIFICATIONS

Model	Satellite	Subwoofer
Driver	3.5" (98mm) Anodized aluminum cone and Santoprene™ surround	8" (203mm) dual voice coil, polypropylene and Santoprene surround
Frequency Response	40Hz - 20kHz +/-3dB (System)	40Hz - 20kHz +/-3dB (System)
Crossover Frequency	125Hz	100Hz
Impedence	16 Ohms nominal	8 Ohms nominal per voice coil
System Impedence	8 Ohms nominal	8 Ohms nominal
Power Handling	50 watts minimum; 150 watts maximum	150 Watts
Sensitivity	85dB 2.83V / 1 meter	89dB Sensitivity @ 2.83V / 1 meter
Enclosure Material	High-heat ABS sealed enclosure, Non-corroding	High-heat ABS sealed enclosure, Non-corroding
Mounting Threads	1/2" NPS (National Pipe Standard)	-
Product Dimensions (WxHxD)	6.75" x 4.5" (171.35mm x 115mm)	21.4" x 12.4" (544mm x 315mm)
Shipping Weight	41.7 lbs (19 kg) System, no Amp 52.8 lbs (24 kg) System, with Amp	41.7 lbs (19 kg) System, no Amp 52.8 lbs (24 kg) System, with Amp

### DIMENSIONAL DRAWINGS



**Patio Series 4.1 System  
 2-100 Amplifier**  
 SKU 93553

**Patio Series 4.1 System  
 (no amp)**  
 SKU 93429