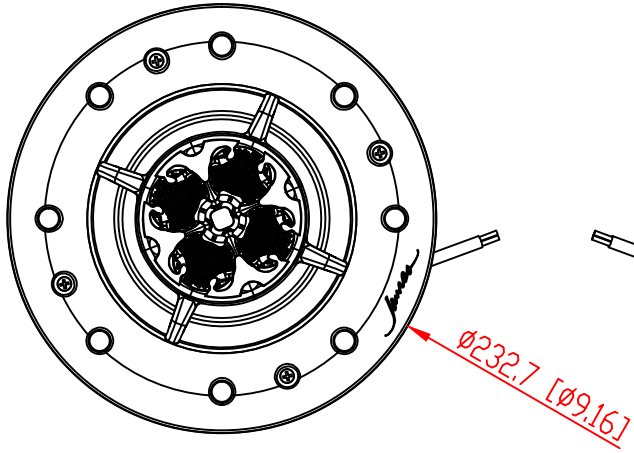
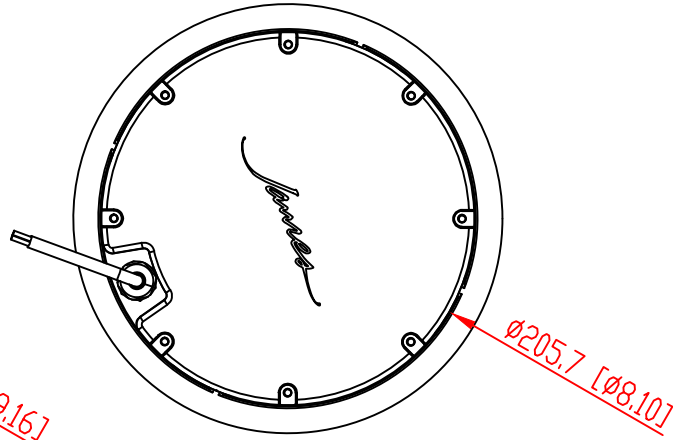


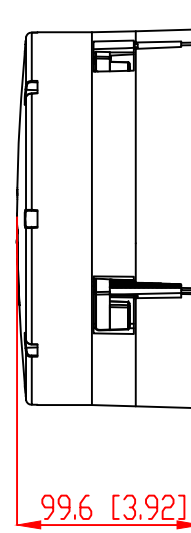
FRONT



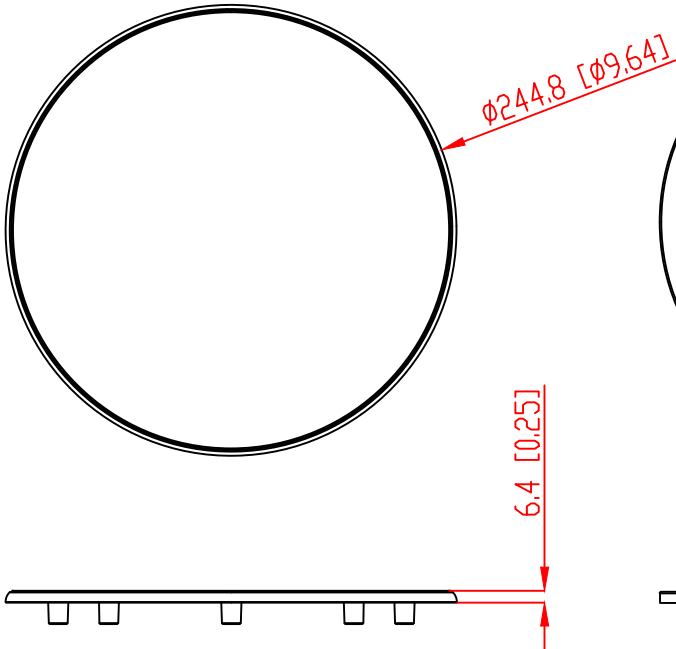
BACK / MINIMUM CUTOUT



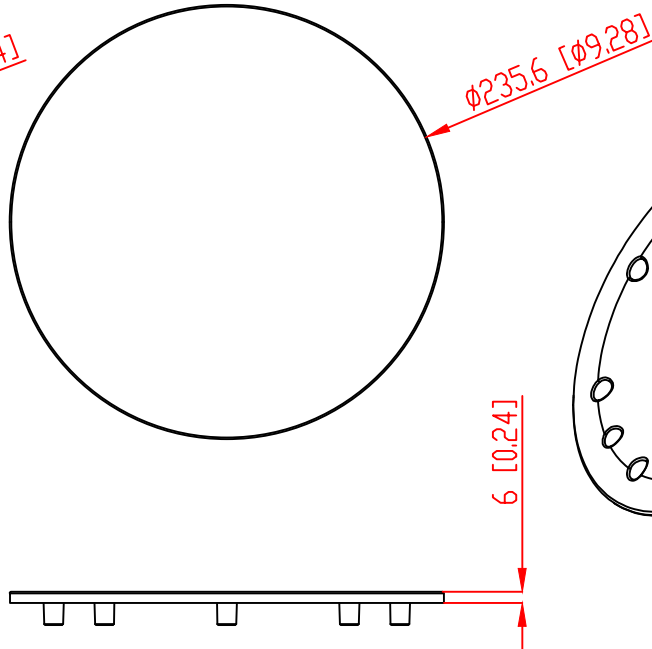
MOUNTING DEPTH



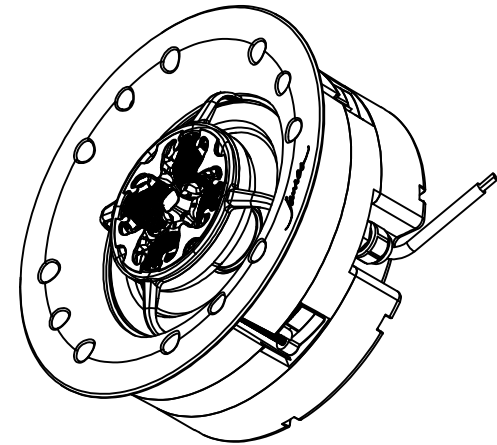
MICRO TRIM GRILLE



TRIMLESS GRILLE



ISOMETRIC



VX068R WITH SHALLOW ENCLOSURE SPEAKER

REV.

DRAWN - PART NUMBER

DRAWN BY: Roy

SCALE: 1:1

SHEET: 0F

RELEASED DIM.

2185 Park Place  
 Minden, Nevada 89423 USA  
 775-461-7500  
 www.jamesloudspeaker.com

