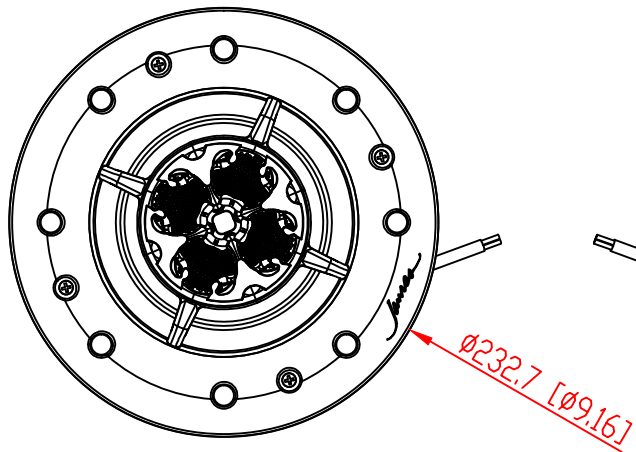
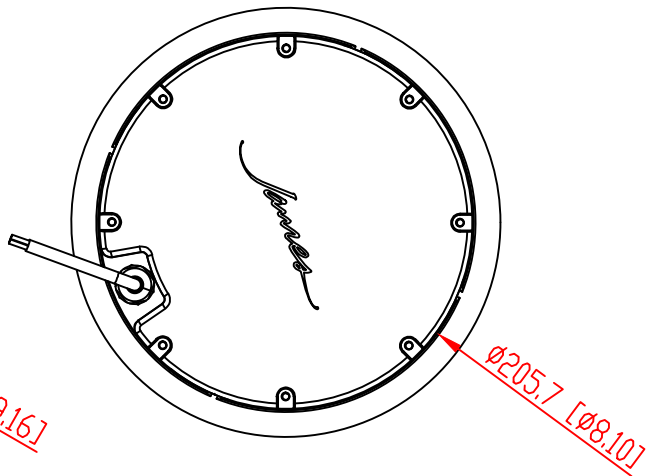


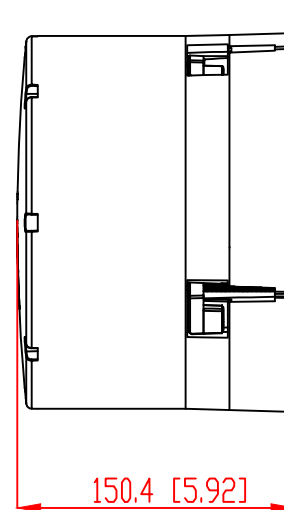
FRONT



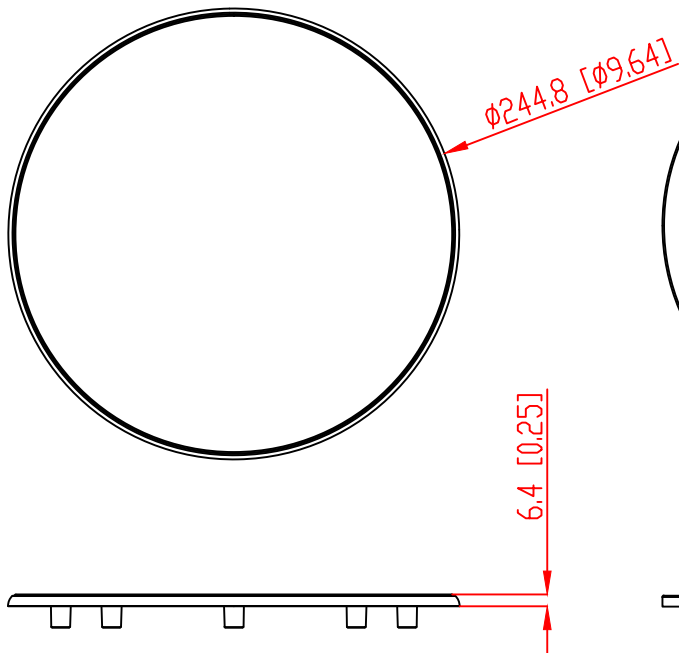
BACK / MINIMUM CUTOUT



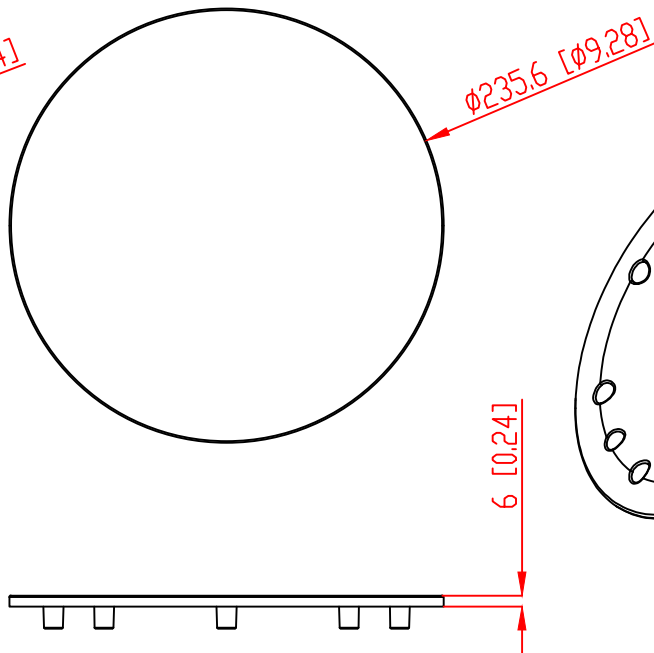
MOUNTING DEPTH



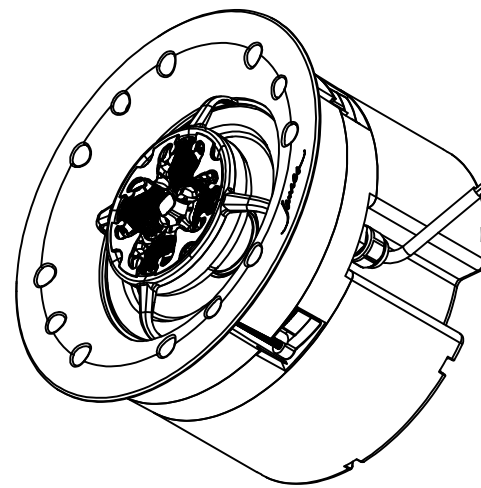
MICRO TRIM GRILLE



TRIMLESS GRILLE



ISOMETRIC



2185 Park Place  
Minden, Nevada 89423 USA  
775-461-7500  
www.jamesloudspeaker.com



VX068R WITH DEEP ENCLOSURE SPEAKER

SCALE: 1:1

DRAWN BY: Roy

DRWN - PART NUMBER

REV.

SHEET: 01

RELEASED DIM