

# SONANCE

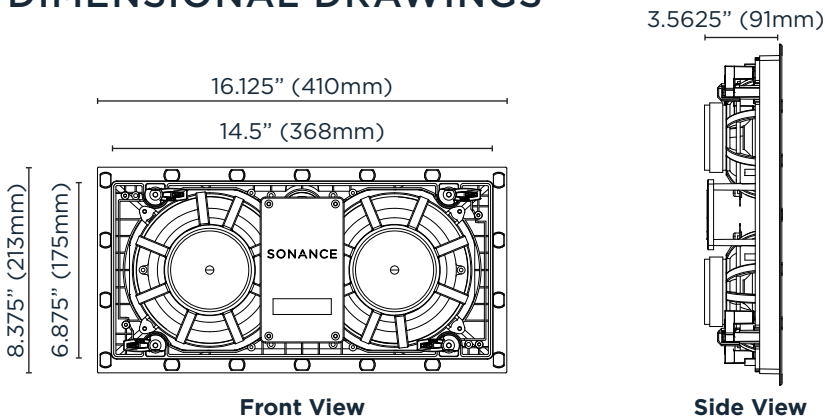
## VISUAL PERFORMANCE DATA SHEET

### VP62LCR | VP66LCR

#### TECHNICAL SPECIFICATIONS

	<b>VP62LCR</b>	<b>VP66LCR</b>
SKU	93028	93084
UOM	Each	Each
Tweeter	1" (25mm) cloth dome, Ferrofluid-cooled, acoustic back chamber	1" (25mm) powder coated aluminum dome, Ferrofluid-cooled, acoustic back chamber
Woofer	Two 6.5" (165mm) textured polypropylene cone, rubber surround	Two 6.5" (165mm) Kevlar / Nomex laminated cone, rubber surround
Frequency Response	45Hz - 20kHz +/- 3dB	43Hz - 20kHz +/- 3dB
Impedance	6 Ohms nominal; 4 Ohms minimum	6 Ohms nominal; 4 Ohms minimum
Power Handling (RMS)	5 watts minimum; 125 watts maximum	5 watts minimum; 140 watts maximum
Sensitivity (2.83V/1m)	90dB SPL	91dB SPL
Product Dimensions (W x H x D)	16.125" x 8.375" x 3.5625" (410mm x 213mm x 91mm)	16.125" x 8.375" x 3.5625" (410mm x 213mm x 91mm)
Cut-Out Dims (W x H)	6.875" x 14.5" (175mm x 368mm)	6.875" x 14.5" (175mm x 368mm)
Shipping Weight	8 lbs. (3.6kg)	8 lbs. (3.6kg)

#### DIMENSIONAL DRAWINGS



#### ASSOCIATED PRODUCTS

##### MEDIUM MODEL

Rectangle Retrofit Enclosure / Each	92836
LCR Flex Bracket / Each	92475

**LIMITED FIVE (5) YEAR WARRANTY** Sonance warrants to the first end-user purchaser that this Sonance-brand product ("Product"), when purchased from an authorized Sonance Dealer/Distributor, will be free from defective workmanship and materials for the period stated above. Sonance will at its option and expense during the warranty period, either repair the defect or replace the Product with a new or remanufactured Product or a reasonable equivalent. For more details please refer to the product manual.

©2020 Sonance. All rights reserved. Sonance is a registered trademarks of Dana Innovations. Due to continuous product improvement, all features and specifications are subject to change without notice. For the latest Sonance product specification information visit our website at [www.sonance.com](http://www.sonance.com).

SONANCE • 991 Calle Amanecer • San Clemente, CA 92673 USA • Phone: (949) 492-7777 • Fax: (949) 361-5151 • Technical Support: (949) 492-7777 • [www.sonance.com](http://www.sonance.com) 12.25.2020