

SONANCE

OMNI-6T

OUTDOOR OMNIDIRECTIONAL 70V/100V 8 OHM LOUDSPEAKER

The Sonance OMNI-6T omnidirectional outdoor speaker provides true 360-degree audio coverage in the exceptional Sonance performance the industry has come to expect for both commercial and residential outdoor systems.

With a 6.5" (165mm) woofer and the 60W Sonance Laminated Core 70V/100V Transformer, the Sonance OMNI-6T is a great complement to Sonance Landscape Series speakers and subwoofers or build a system comprised entirely of Sonance OMNI-6T speakers for the ideal solution for spaces requiring omnidirectional coverage like resort gardens, hotel pool areas, theme parks, outdoor shopping malls or open residential backyards.



FEATURES AND BENEFITS

- Four x 1.25" (32mm) Wide-Band Drivers: Best-in-class midrange and treble
- 6.5" (165mm) High Excursion Woofer: Exceptional bass response
- Textured brown enclosure: Designed to blend into ground cover, garden beds and foliage
- Sonance Laminated Core Technology transformer (SLCT): Full-fidelity performance in 70V/100V
- Buriabale design: Can be buried up to 8" (203mm) deep, leaving only 6" (152mm) visible above-ground
- Weatherproof construction: Design to handle extremes temperature, moisture and salt air

APPLICATIONS

- Outdoor Shopping Malls
- Resort Gardens
- Theme Parks
- Hotel Pool Areas
- Outdoor Dining Areas
- Open Residential Backyards
- Sporting Facilities
- Marinas

SONANCE

TECHNICAL SPECIFICATIONS

Frequency Range (-10dB)	38Hz - 25kHz
Frequency Range (-3dB)	60Hz - 20kHz
Power Capacity	120 Watts Continuous Program Power, 60 Watts Continuous Pink Noise
Nominal Sensitivity	88 dB
Nominal Coverage Angle	360 degrees horizontal, 160 degrees vertical
Directivity Factor (Q)	2.3
Directivity Index (DI)	3.6 dB
Rated Maximum SPL	107dB @ 1 meter (3.3 feet) average, 113dB peak
Rated Impedance	8 ohms nominal, 6 ohms minimum
Transformer Taps	80W, 40W, 20W and (10W @70V)
Crossover Point	500Hz
LF Driver	6.5" (165mm) Polypropylene Cone, Santoprene Rubber Surround
Wide Band Driver	Four 1.25" (32mm) EPDM dome, Ferrofluid cooled
Input Connectors	Flying Leads
Environmental	Conforms to Mil Spec 810 for humidity, IEC 529, IP-66
Included Accessories	Silicone filled wire nuts
Dimension HxDia	14.5"x 12" (368mm x 305mm)

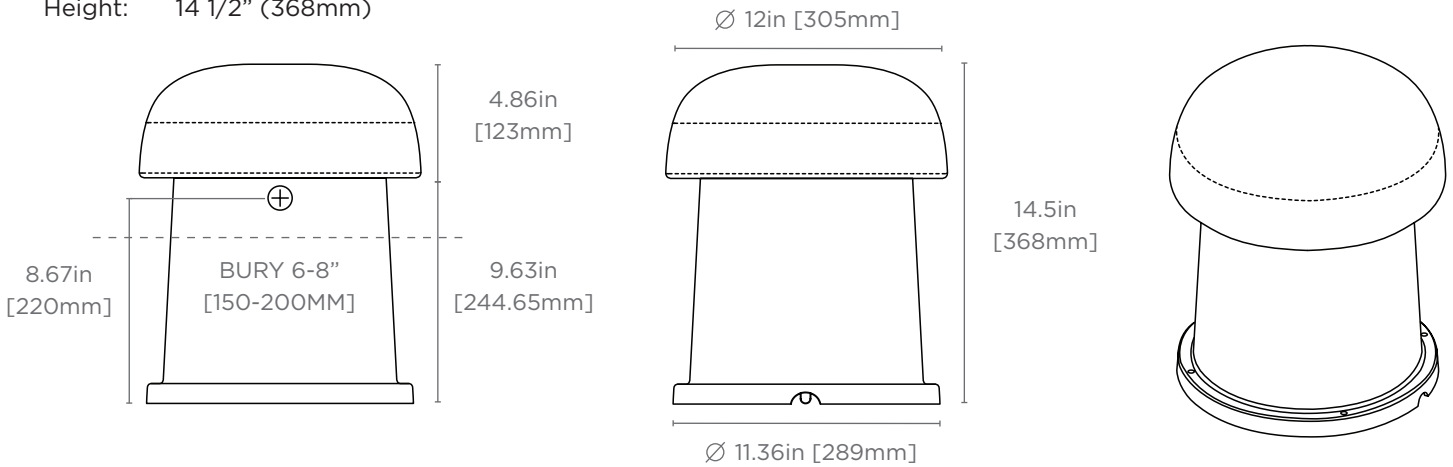


OMNI-6T
SKU# 40196

DIMENSIONAL SKETCHES SPECIFICATIONS

OMNI-6T

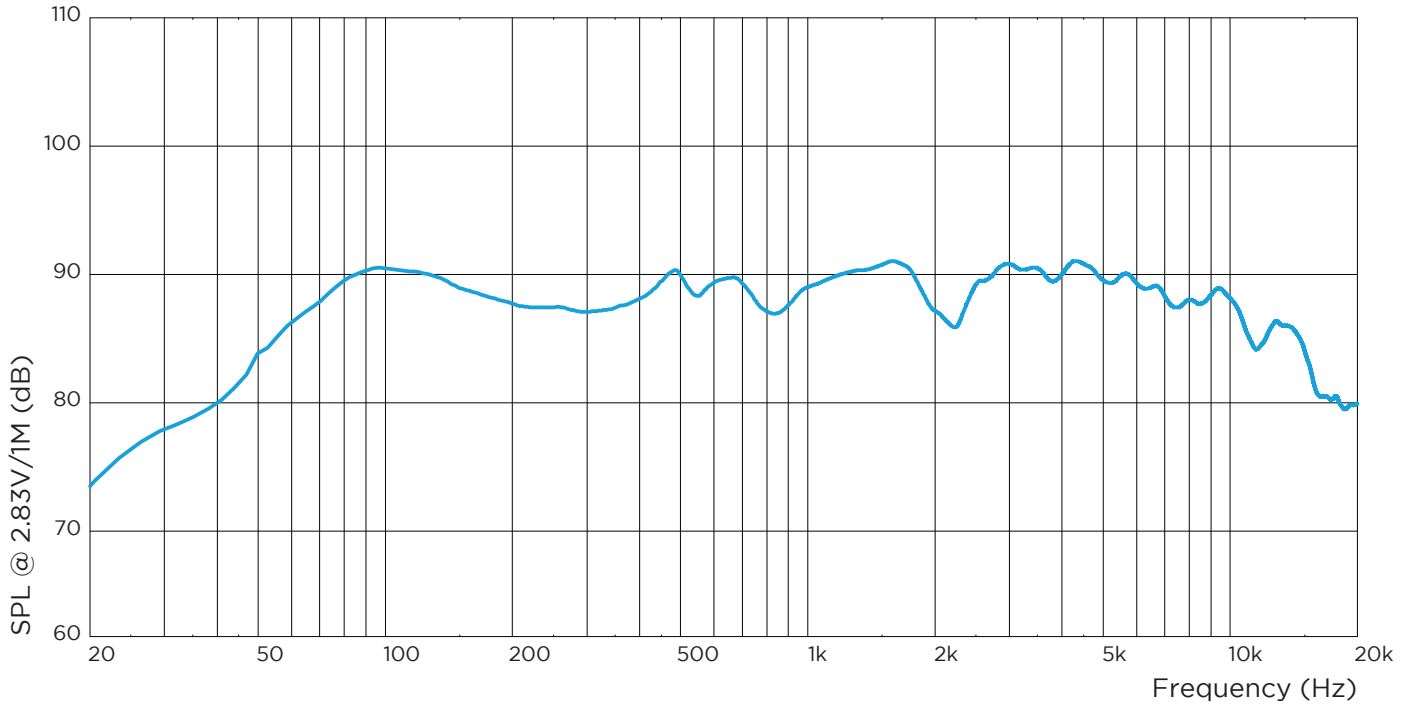
Diameter: 12" (305mm)
Height: 14 1/2" (368mm)



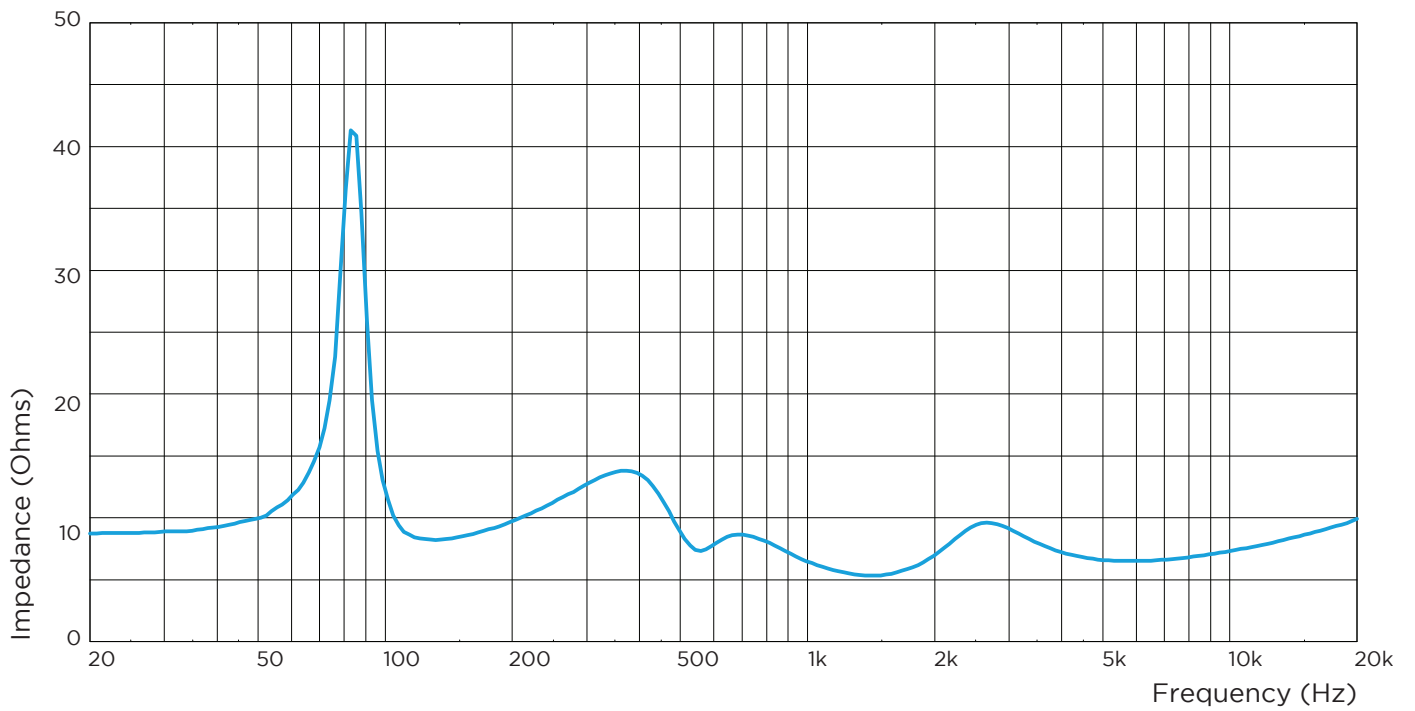
SONANCE

PERFORMANCE MEASUREMENTS

ON AXIS RESPONSE



IMPEDANCE



SONANCE

ASSOCIATED PRODUCTS

IN-CEILING SPEAKERS

PS-C43RT In-Ceiling Speaker	40130
PS-C63RT In-Ceiling Speaker	40131
PS-C83RT In-Ceiling Speaker	40132
PS-C83RWT In-Ceiling Speaker	40133

PENDANT SPEAKERS

PS-P43T Pendant Speaker White	40134
PS-P63T Pendant Speaker White	40135
PS-P83T Pendant Speaker White	40136
PS-P83WT Pendant Speaker White	40137
PS-P43T Pendant Speaker Black	40138
PS-P63T Pendant Speaker Black	40139
PS-P83T Pendant Speaker Black	40140
PS-P83WT Pendant Speaker Black	40141

SONANCE LANDSCAPE SERIES

LS4T SAT Satellite Speaker	93369
LS6T SAT Satellite Speaker	93370
LS12T SUB Subwoofer	93371
LS15T SUB Subwoofer	93372
HS12T SUB Subwoofer	93373

SURFACE MOUNT SPEAKERS

PS-S43T Surface Mount Speaker White	40142
PS-S53T Surface Mount Speaker White	40143
PS-S63T Surface Mount Speaker White	40144
PS-S83WT Surface Mount Speaker White	40146
PS-S43T Surface Mount Speaker Black	40147
PS-S53T Surface Mount Speaker Black	40148
PS-S63T Surface Mount Speaker Black	40149
PS-S83WT Surface Mount Speaker Black	40151

DSP AMPLIFIER

Sonamp DSP 2-750 MKII Amplifier	93095
---------------------------------	-------

SUBWOOFER

PS-S210SUBT Subwoofer	40142
-----------------------	-------

TRANSFORMER

PS-S60XF Transformer	40195
----------------------	-------

ARCHITECTURAL SPECIFICATIONS

The loudspeaker shall deliver 360 degrees horizontal, 160 degrees vertical coverage and consist of a 6.5" (165mm) Polypropylene cone, Santoprene rubber surround Woofer and 4 x 1.25" (32mm) EPDM dome, Ferrofluid cooled Wide Band Drivers, with a crossover point of 500Hz. Frequency range shall be 60Hz - 20kHz (-3dB). Total power handling shall be 120 Watts continuous program power, 60 Watts continuous pink noise. Nominal sensitivity should be rated at 88dB, and it should have a rated maximum SPL of 107dB @ 1 meter (3.3 feet) average, 113dB peak. The unit shall be supplied with a line-matching transformer suitable for 100 volt or 70 volt with a side-mounted control allowing user selectable power taps of 80W, 40W, 20W and (10W @70V) and an 8 Ohm bypass. The loudspeaker should be finished in a dark brown color and shall conform to Mil Spec 810 for humidity, salt spray, temperature and UV, have IEC 529 and an IP-66 waterproof rating. The loudspeaker shall be the Sonance Omni-6T. No other system shall be acceptable unless the above combined performance specifications are equaled or exceeded.

TECHNICAL ASSISTANCE AND SERVICE

The Technical Assistance Department at Sonance is available at (949) 492-7777 to answer any questions concerning the operation and installation of your speakers between the hours of 7:00 AM and 5:00 PM Pacific time, Monday through Friday, except holidays.

In the event your unit should need repair or service, you may return the unit to your authorized dealer or use the following guidelines:

PLEASE KEEP ORIGINAL PACKAGING WHEN POSSIBLE.

1. Be prepared to state the model number and / or serial number, date of purchase, and dealer's name and address when calling.
2. Contact Sonance directly at (949) 492-7777 or at www.sonance.com. **YOU MUST HAVE PRIOR AUTHORIZATION TO RETURN YOUR UNIT.**
3. If you are returning the product directly to Sonance, call us to obtain a return authorization number before shipping.
4. Ship the product via United Parcel Service, Federal Express, or other package delivery service. Please do not use the U.S. Postal Service.
5. Include the return authorization number on the shipping label.
6. Ship to:Attn: Quality Assurance Department,
RMA#(include RMA number here)
Sonance
11016 Mulberry Ave., Suite B
Fontana, CA 92337

SONANCE

LIMITED FIVE (5) YEAR WARRANTY

Sonance warrants to the first end-user purchaser that this Sonance-brand product (“Product”), when purchased from an authorized Sonance Dealer/Distributor, will be free from defective workmanship and materials for the period stated below. Sonance will at its option and expense during the warranty period, either repair the defect or replace the Product with a new or remanufactured Product or a reasonable equivalent.

EXCLUSIONS

TO THE EXTENT PERMITTED BY LAW, THE WARRANTY SET FORTH ABOVE IS IN LIEU OF, AND EXCLUSIVE OF, ALL OTHER WARRANTIES, EXPRESS OR IMPLIED, AND IS THE SOLE AND EXCLUSIVE WARRANTY PROVIDED BY SONANCE. ALL OTHER EXPRESS AND IMPLIED WARRANTIES, INCLUDING THE IMPLIED WARRANTIES OF MERCHANTABILITY, IMPLIED WARRANTY OF FITNESS FOR USE, AND IMPLIED WARRANTY OF FITNESS FOR A PARTICULAR PURPOSE ARE SPECIFICALLY EXCLUDED.

No one is authorized to make or modify any warranties on behalf of Sonance. The warranty stated above is the sole and exclusive remedy and Sonance’s performance shall constitute full and final satisfaction of all obligations, liabilities and claims with respect to the Product.

IN ANY EVENT, SONANCE SHALL NOT BE LIABLE FOR CONSEQUENTIAL, INCIDENTAL, ECONOMIC, PROPERTY, BODILY INJURY, OR PERSONAL INJURY DAMAGES ARISING FROM THE PRODUCT, ANY BREACH OF THIS WARRANTY OR OTHERWISE.

This warranty statement gives you specific legal rights, and you may have other rights which vary from state to state. Some states do not allow the exclusion of implied warranties or limitations of remedies, so the above exclusions and limitations may not apply. If your state does not allow disclaimer of implied warranties, the duration of such implied warranties is limited to period of Sonance’s express warranty. Your Product Model and Description: OMNI-6T. Warranty Period for this Product: Five (5) years from the date on the original sales receipt or invoice or other satisfactory proof of purchase. Additional Limitations and Exclusions from Warranty Coverage: The warranty described above is non-transferable, applies only to the initial installation of the Product, does not include installation of any repaired or replaced Product, does not include damage to allied or associated equipment which may result for any reason from use with this Product, and does not include labor or parts caused by accident, disaster, negligence, improper installation, misuse (e.g. overdriving the amplifier or speaker, excessive heat, cold or humidity), or from service or repair which has not been authorized by Sonance. Obtaining Authorized Service: To qualify for the warranty, you must contact your authorized Sonance Dealer/Installer or call Sonance Customer Service at (949) 492-7777 within the warranty period, must obtain a return merchandise number (RMA), and must deliver the Product to Sonance shipping prepaid during the warranty period, together with the original sales receipt, or invoice or other satisfactory proof of purchase.

SONANCE

©2020 Sonance. All rights reserved. Sonance is a registered trademarks of Dana Innovations. Due to continuous product improvement, all features and specifications are subject to change without notice. For the latest Sonance product specification information visit our website at www.sonance.com.

SONANCE • 991 Calle Amanecer • San Clemente, CA 92673 USA
PHONE: (949) 492-7777 • FAX: (949) 361-5151 • Technical Support: (949) 492-7777 • www.sonance.com
04.23.2020