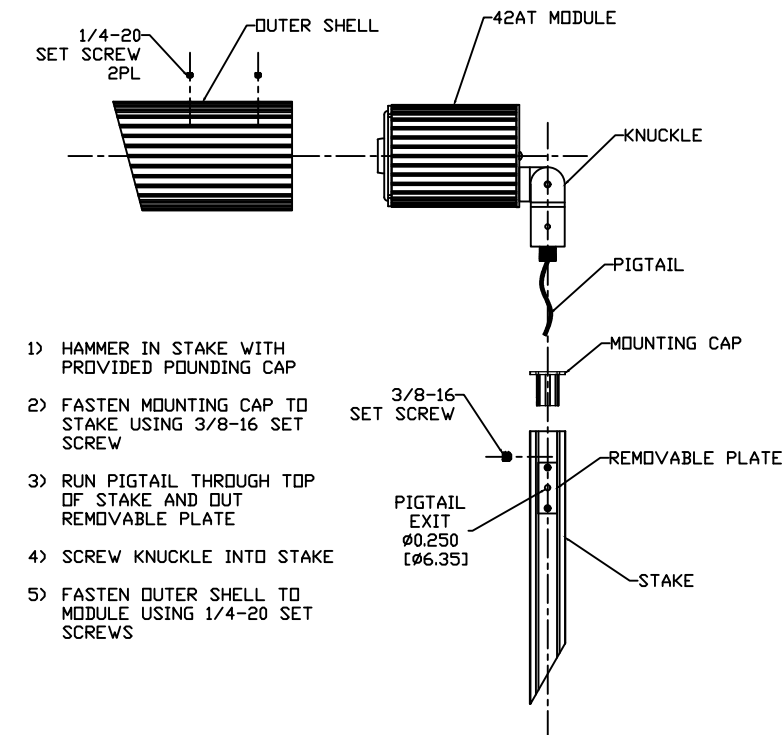
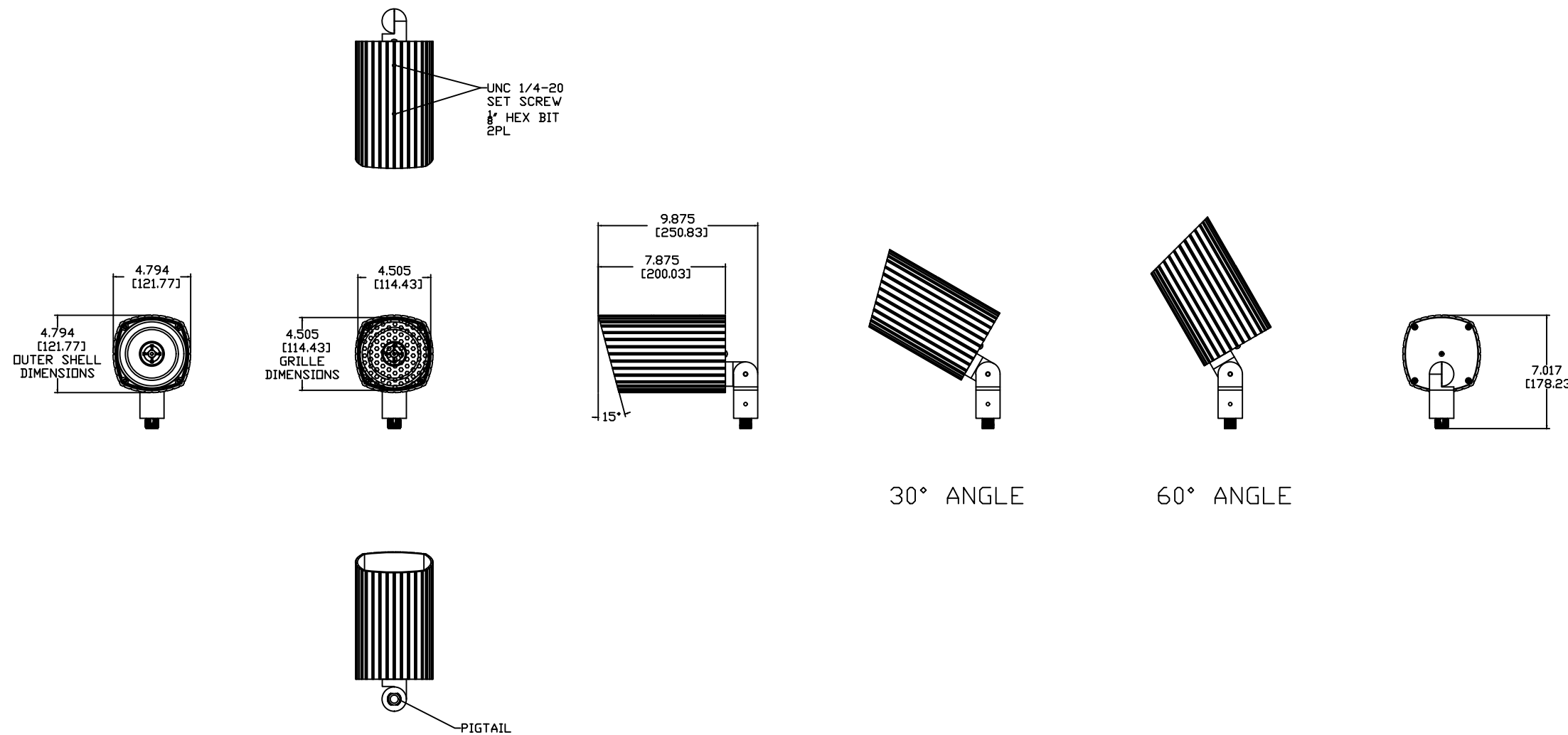


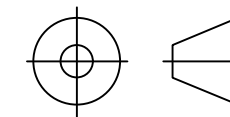
| REVISIONS | | | | |
|-----------|------|---|----------|----------|
| ECN | REV. | DESCRIPTION | DATE | APPROVED |
| | A | RELEASE FOR PRODUCTION | 02-14-12 | |
| 19010 | B | DRAWING UPDATED AND BROKEN OUT BACK PLATE HOLE PATTERN CHANGED | 04-23-19 | |
| 19023 | C | GRILLE REVISED TO MATCH PRODUCTION | 05-29-19 | |

ASSEMBLY INSTRUCTIONS



NOTES:

- MATERIAL - 42AT EXTRUSION UNLESS OTHERWISE SPECIFIED
- FINISH: TBD



"THIRD ANGLE" PROJECTION

PROPRIETARY INFORMATION
THE DESIGNS, INFORMATION, AND DATA CONTAINED HEREIN ARE PROPRIETARY AND ARE SUBMITTED IN CONFIDENCE, AND SHALL NOT BE DISCLOSED, USED OR DUPLICATED IN WHOLE OR IN PART, FOR ANY PURPOSES WHATSOEVER, WITHOUT THE PRIOR WRITTEN PERMISSION OF JAMES LOUDSPEAKER LLC, 2185 PARK PL, MINDEN, NV 89423. THIS LEGEND SHALL BE MARKED ON ANY REPRODUCTIONS HEREOF IN WHOLE OR IN PART. RECEIPT OF THIS DOCUMENT SHALL BE DEEMED TO BE AN ACCEPTANCE OF THE CONDITIONS SPECIFIED HEREIN.

JAMES LOUDSPEAKER

42AT

EXTERNAL DIMENSIONS

P/N: - DWR #: 120214-C00

REVISED BY: S. LOESCH

DRAWN BY: M. GALLES FILE:

DATE: 02-14-12 SCALE:

APPROVED:

DRAFTING APPROVED:

DO NOT SCALE DRAWING

DRAWING NOT TO BE USED FOR CNC

TOLERANCES: ANG: ± = .5° FRACT. ± = 1/32

DECIMALS: .XX ± = .01 .XXX ± = .005

REVISION: C

SHEET 1 OF 6